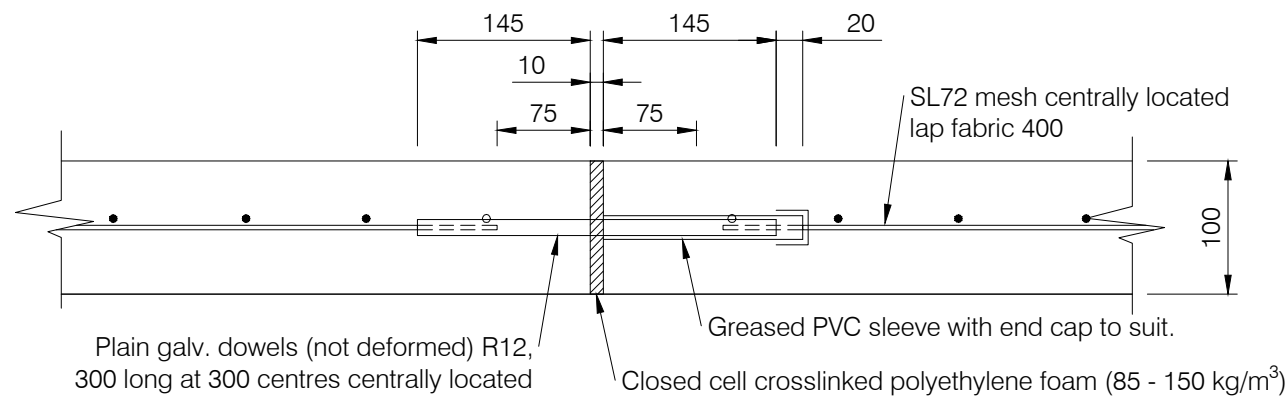
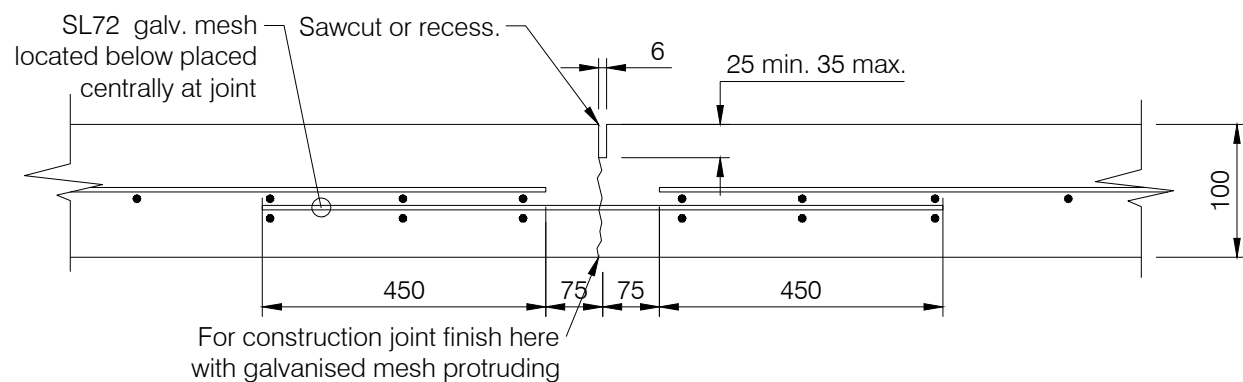


CONCRETE PAVED ISLAND.



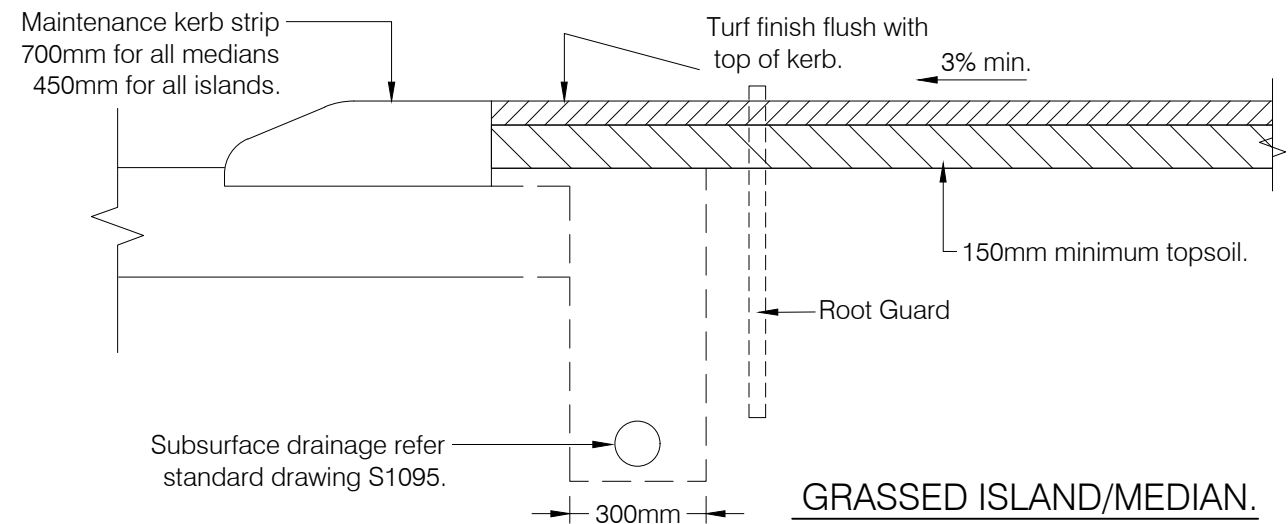
EXPANSION JOINT

Spacing 16m max.

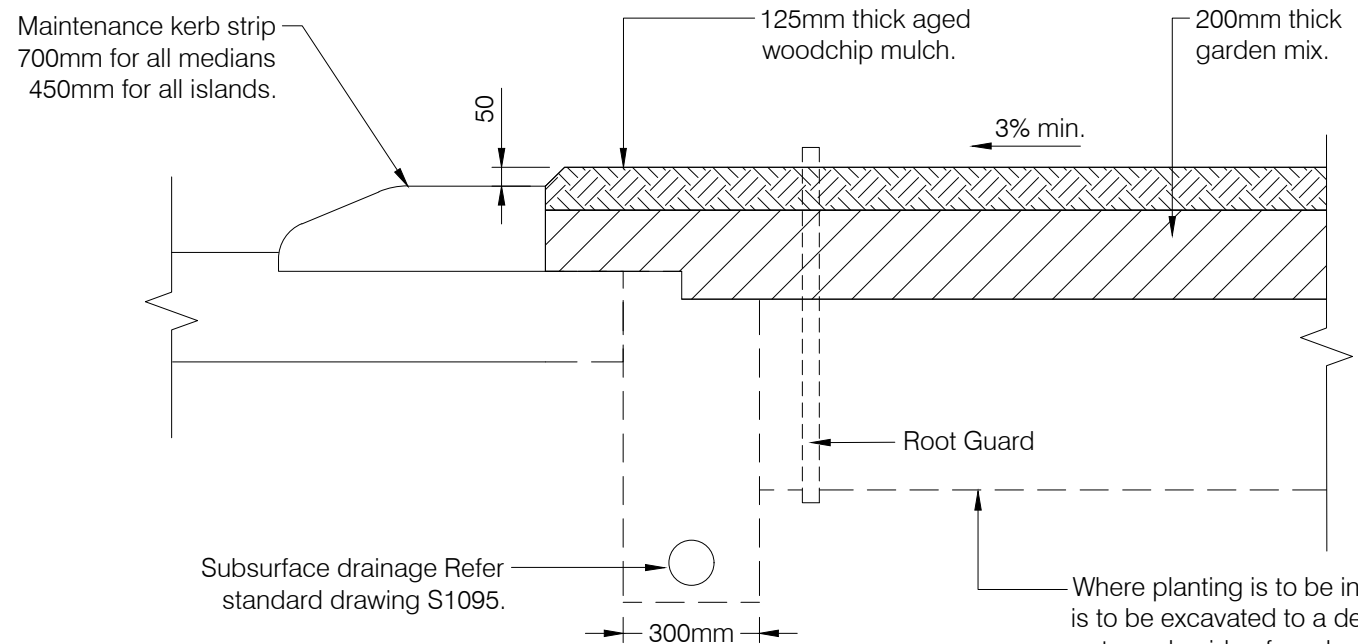


CONTRACTION JOINT

Spacing 4m max (Refer note 4 & 10)



GRASSED ISLAND/MEDIAN.



LANDSCAPED ISLAND/MEDIAN.

NOTES

1. For island / median setout and planting schedule refer project drawings.
2. Concrete to be N32 minimum in accordance with AS1379 and AS3600.
3. All concrete paved islands shall have expansions joints constructed at 16m max. ctrs.
4. All concrete paved islands shall have contraction joints located so the longest side to shortest side ratio does not exceed 1.6, maximum spacing 4m.
5. All grassed and landscaped islands shall have a subsurface drainage line connected to the underground drainage network or open drainage channel. Refer project drawings for location of subsoil drainage lines and flush points.
6. All grassed and landscaped islands shall have a water service conduit to accommodate irrigation. Refer project drawings for irrigation design.
7. Root barriers to be installed to a minimum of 1000mm beyond the estimated drip line of specified trees at maturity or to full length of median. Barriers to islands must be installed to entire perimeter of kerb.
8. All dimensions are in millimetres.
9. Traffic islands or medians less than 2m width to be hard surfaced in concrete with a terracotta finish in accordance with Council requirements.
10. Saw cut detail to be as per Council requirement.

REVISIONS	DATE
G MINOR AMENDMENT TO NOTES	05/12/23
F DETAIL AND NOTES ADDED	27/08/20

DISCLAIMER
 The authors and sponsoring organisations shall have no liability or responsibility to the user or any other person or entity with respect to any liability, loss or damage caused or alleged to be caused, directly or indirectly, by the adoption and use of these Standard Drawings including, but not limited to, any interruption of service, loss of business or anticipatory profits, or consequential damages resulting from the use of these Standard Drawings. Persons must not rely on these Standard Drawings as the equivalent of, or a substitute for, project-specific design and assessment by an appropriately qualified professional.



TRAFFIC ISLANDS / MEDIANS

Standard Drawing
S4110

F	G		
---	---	--	--