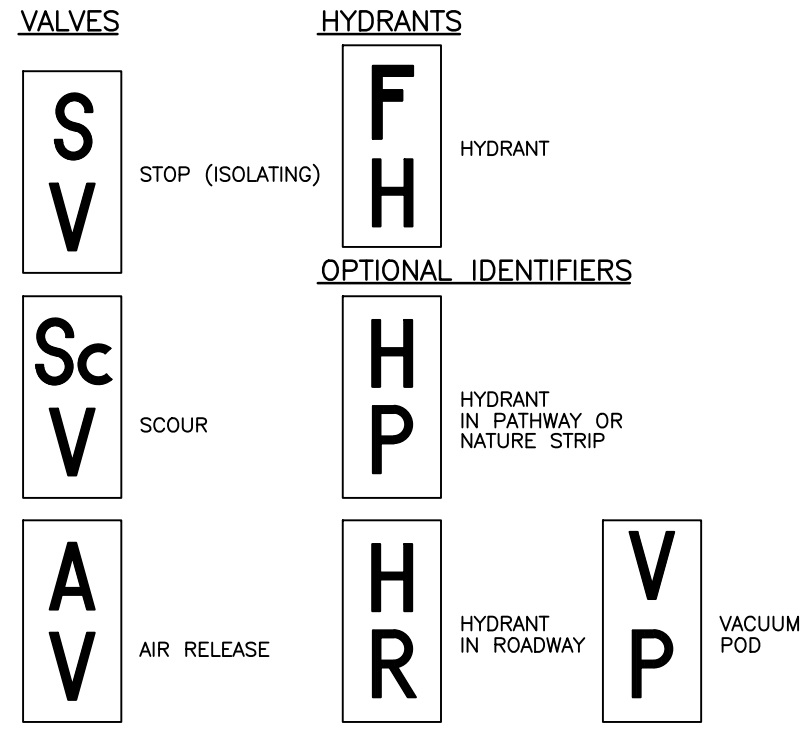


TYPICAL PLATE ARRANGEMENT
MAY BE FIXED TO POST OR BUILDING



MARKER PLATES

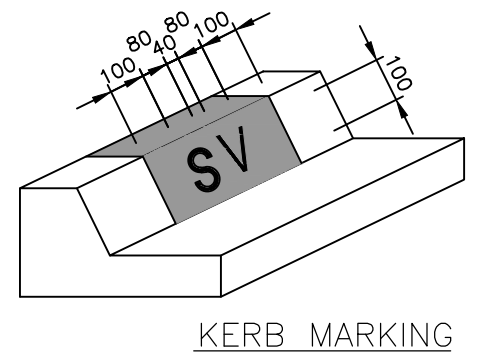
NOTES - MARKER PLATES

- CONCRETE TO BE N32 MINIMUM IN ACCORDANCE WITH AS 1379 & AS 3600 UNLESS SPECIFIED OTHERWISE.
- MARKER POST SHALL ONLY BE USED IN THE ABSENCE OF A SUITABLE KERB FIXING POSITION & AS DIRECTED BY COUNCIL.
- MARKER PLATES SHALL BE CONSTRUCTED FROM 1.6mm ALUMINIUM SHEET.
- WATER MAIN (WM) & SEWER RISING MAIN (RM) MARKER POSTS WHERE REQUIRED SHALL BE LOCATED AT ALL LINE DEVIATIONS AND AT 200m MAX. CRS. POSTS SHALL BE DIRECTLY OVER TOP OF MAIN.
- VALVE & HYDRANT MARKER POSTS WHERE REQUIRED IN LOW DENSITY RESIDENTIAL DEVELOPMENTS ADJACENT TO SEWER PRESSURE MAINS OR THROUGH CROWN LAND, SHALL BE LOCATED 200mm CLEAR OF ROAD/PROPERTY BOUNDARY WITH THE MARKER PLATE FACING THE MAIN.
- NOTWITHSTANDING THE REQUIREMENTS OF NOTE 5 VALVE & HYDRANT MARKER POSTS SHALL NOT BE LOCATED GREATER THAN 5.0m CLEAR OF THE MAIN ALIGNMENT.
- DISTANCE TO & SIZE OF MAIN/FITTING TO BE MARKED ON POST OR MARKER PLATE.
 - NUMBERS TO BE 12 (MIN) HIGH.
 - NUMBERS TO BE PAINTED OR PUNCHED TO CREATE A PERMANENT IDENTIFICATION.
 - TOP NUMBER TO BE DISTANCE TO MAIN (m).
 - BOTTOM NUMBER TO BE SIZE OF MAIN (mm).
- LOCATE MARKERS AT RIGHT ANGLES TO THE MAIN WITH MARKINGS FACING TOWARDS THE VALVE OR HYDRANT.
- LETTERS FOR ALL MARKERS SHALL BE PAINTED IN BLACK ENAMEL WITH BACKGROUND PAINTED WITH A REFLECTORISED PAINT AS FOLLOWS:-
 - HYDRANT - YELLOW (GOLDEN YELLOW Y14*)
 - WATER (OTHER) - WHITE
 - SEWERAGE - RED (HOMEBUSH R22*)

- COLOURED MARKER TOPS ON TYPE "B" POSTS TO BE:
 - WATER (GENERAL) - BLUEBELL (B41)
 - HYDRANTS - HOMEBUSH RED (R22)
 - * COLOURS TO AS 2700.

NOTES - KERB MARKING

- LETTER SIZE TO BE 100mm HIGH, 80mm WIDE, 15mm DEEP WITH 40mm SEPARATION BETWEEN LETTERS
- ALL LETTERS (EXCEPT 'HYDRANT') TO BE 'WHITE-N14*'. HYDRANT LETTERS TO BE 'BLUE-B41*'. PAINT TO BE REFLECTIVE PAINT INCORPORATING GLASS BEADS
- BACKGROUND PAINT TO COVER FRONT AND TOP OF KERB AND TO EXTEND 100mm PAST EACH LETTER.
- BACKGROUND PAINT COLOURS TO BE:-
 - SEWER - 'RED-R13*'
 - POTABLE WATER - 'BLUE-B41*'
 - RECYCLED WATER - 'LILAC-P23*'
 - FIRE HYDRANTS - 'YELLOW-Y14*'
 - * COLOURS TO AS2700



REVISIONS	DATE
F MINOR AMENDMENT TO NOTES	05/12/23
E VP ADDED	27/08/20

DISCLAIMER
The authors and sponsoring organisations shall have no liability or responsibility to the user or any other person or entity with respect to any liability, loss or damage caused or alleged to be caused, directly or indirectly, by the adoption and use of these Standard Drawings including, but not limited to, any interruption of service, loss of business or anticipatory profits, or consequential damages resulting from the use of these Standard Drawings. Persons must not rely on these Standard Drawings as the equivalent of, or a substitute for, project-specific design and assessment by an appropriately qualified professional.



KERB / ROAD MARKERS

Standard Drawing
S2010

E	F		
---	---	--	--