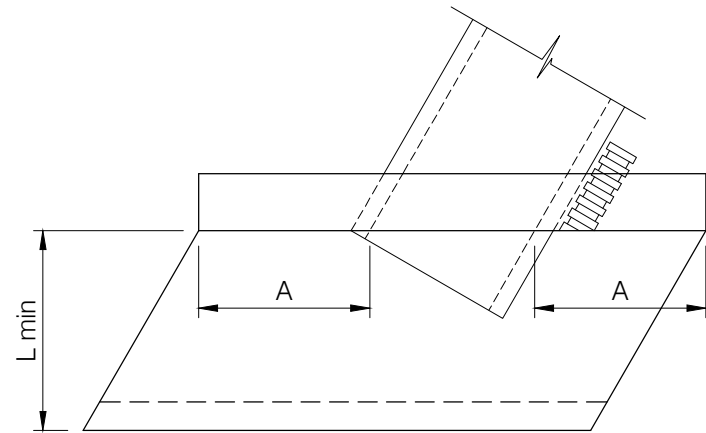
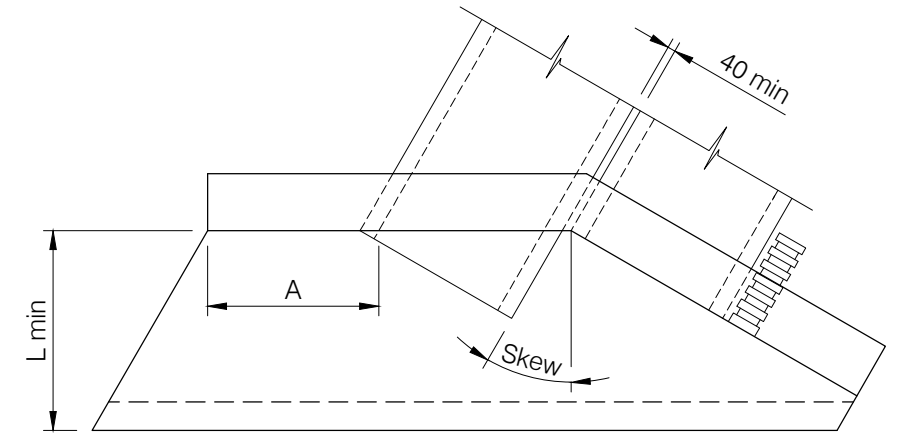


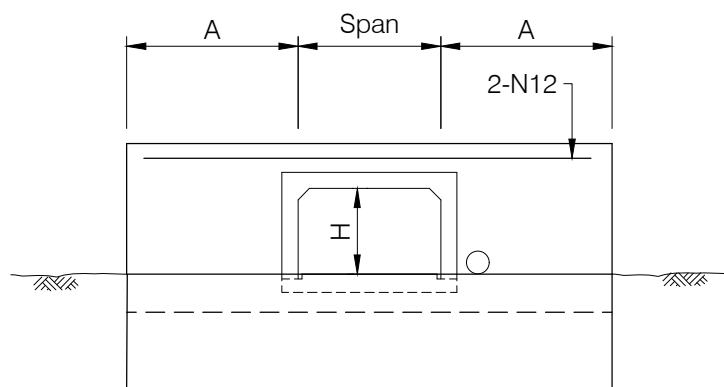
PLAN



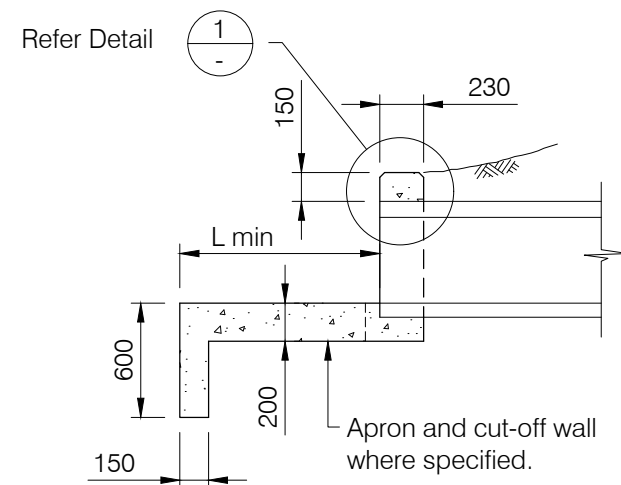
PLAN - SINGLE SKEW BOX



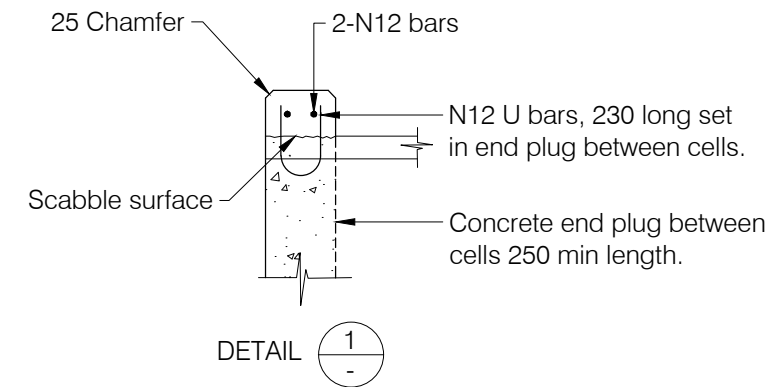
PLAN - MULTIPLE SKEW BOX



ELEVATION



SECTION



NOTES

1. Concrete shall be N32 minimum in accordance with AS 1379 and AS 3600. Minimum cover to be 40mm.
2. In areas where invert is below HAT level, all concrete shall be Grade N32. Minimum cover to be 45mm.
3. For apron & cut-off wall requirements, length (L) & skew angle refer project drawings.
4. Approved precast headwalls may be alternately used with a cut-off wall as detailed on standard drawing S1075.
5. Stone pitching to be provided to ends of headwall, where batter slope exceeds 1 in 4.
6. All dimensions to be in millimetres.

TABLE OF DIMENSIONS

Dim	Height of box H					
	150	225	300	375	450	600
A	250	300	450	600	750	900
L	565	675	790	900	1015	1015

REVISIONS	DATE
C AMENDMENTS TO NOTES	05/12/23
B NOTE DELETED FROM ELEVATION	13/01/06
A ORIGINAL ISSUE	12/03/04

DISCLAIMER
 The authors and sponsoring organisations shall have no liability or responsibility to the user or any other person or entity with respect to any liability, loss or damage caused or alleged to be caused, directly or indirectly, by the adoption and use of these Standard Drawings including, but not limited to, any interruption of service, loss of business or anticipatory profits, or consequential damages resulting from the use of these Standard Drawings. Persons must not rely on these Standard Drawings as the equivalent of, or a substitute for, project-specific design and assessment by an appropriately qualified professional.



BOX CULVERT HEADWALL
 H 150mm TO 600mm

Standard
 Drawing
S1080

A	B	C		
---	---	---	--	--