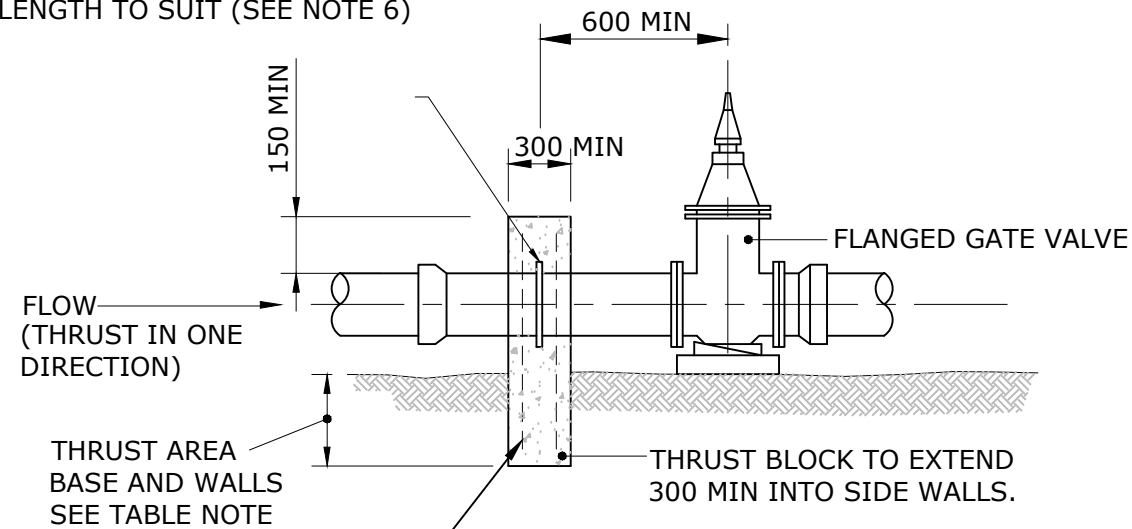
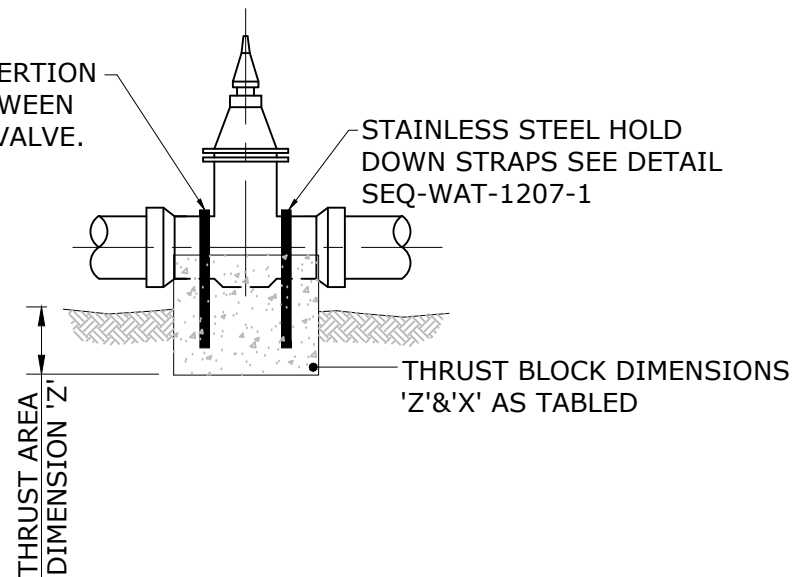


THRUST IN BOTH DIRECTIONS
USE PUDDLE FLANGE PIPE
LENGTH TO SUIT (SEE NOTE 6)



3 THICK INSERTION
RUBBER BETWEEN
STRAP AND VALVE.

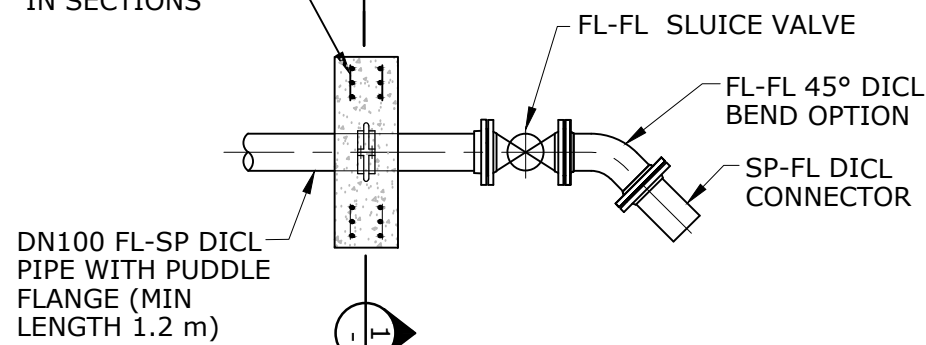


SOCKETED VALVES <= DN375

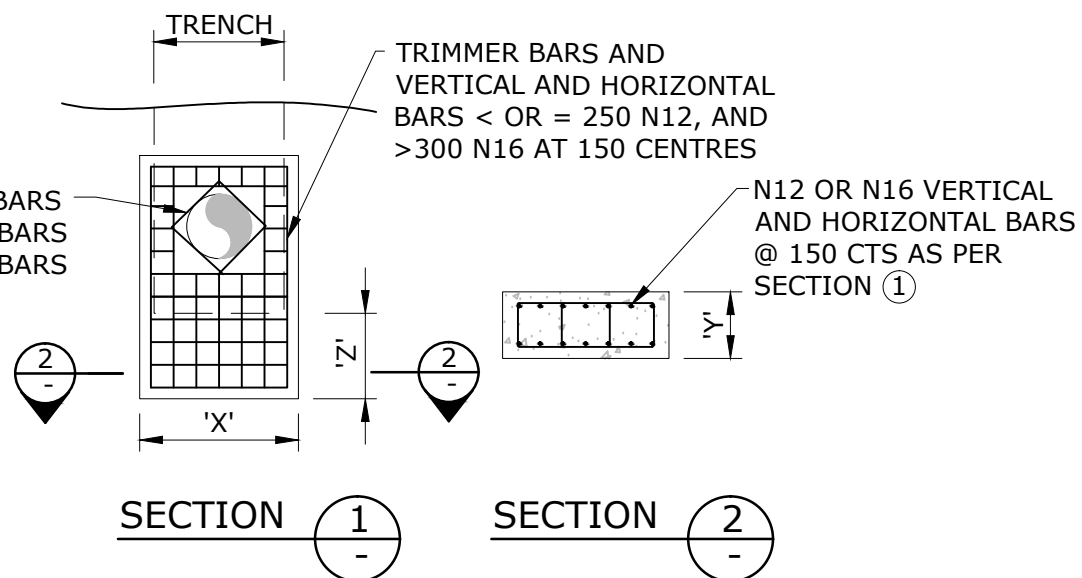
(ALTERNATIVE TYCO ANCHOR
LEGS x 2 ACCEPTED FOR USE)

FLANGED VALVES ALL SIZES

REINFORCEMENT
AS DETAILED
IN SECTIONS



**FLANGED VALVE AND BEND
FOR ALL PIPE SIZES**



MINIMUM BLOCK DIMENSIONS FOR THE ANCHORAGE OF THE IN-LINE THRUST			
IN LINE BLOCK FOR TEST PRESSURE OF 1200 kPa SOIL ALLOWABLE HORIZONTAL BEARING PRESSURE IN kPa OF 50, 100 OR 150 LISTED (SEE NOTES)			
PIPE DN	BEARING AREA M ²		
	SOFT CLAY 50kPa	MEDIUM CLAY SANDY LOAM 100kPa	SAND & GRAVEL HARD CLAY 150kPa
100	15.8 KN THRUST		
X	450	450	450
Y	300	300	300
Z	700	500	500
150	33.3 KN THRUST		
X	800	500	450
Y	300	300	300
Z	850	700	500
200	57.1 KN THRUST		
X	800	700	600
Y	300	300	300
Z	1400	800	650
225	71.2 KN THRUST		
X	900	800	700
Y	400	400	400
Z	1600	900	700
250	86.7 KN THRUST		
X	1000	850	700
Y	400	400	400
Z	1750	1000	800
300	124.0 KN THRUST		
X	1400	900	800
Y	500	500	500
Z	1800	1400	1000
375	189.0 KN THRUST		
X	1600	1100	900
Y	600	600	600
Z	2350	1750	1400

- LARGER THAN DN375 INDIVIDUAL DETAILED DESIGN IS REQUIRED. DESIGNER TO NOMINATE X, Y, Z DIMENSIONS TO SUIT LOCATION.
- BLOCK WIDTHS 'X' SHOULD BE WITHIN THE ALLOCATION, GENERALLY 800 mm WIDE. WIDER BLOCKS WILL REQUIRE REDESIGN OF ADJOINING SERVICES.
- BEARING AREA TO BE PREDOMINANTLY BELOW BEDDING ZONE

NOTES

- ALL DIMENSIONS IN MILLIMETRES UNLESS OTHERWISE SHOWN.
- ANCHOR BLOCKS IN THE TABLE ARE DESIGNED FOR A TEST PRESSURE OF 1200 kPa (122 m HEAD).
- WHERE DI PIPES AND FITTINGS WITH RESTRAINED JOINTS ARE USED THRUST BLOCKS MAY NOT BE REQUIRED. SEE SEQ-WAT-1208.
- THRUST BLOCK REINFORCEMENT AS SPECIFIED ABOVE OR AS IN DESIGN DRAWINGS.
- PROVIDE CONCRETE THRUST BLOCKS FOR VALVES. THRUST AREA TO BE AS SHOWN WITH NUTS AND BOLTS TO BE ACCESSIBLE ON FLANGES.
- INSTALL PUDDLE FLANGES ON FLANGE CLASS DI CL PIPE BY A MACHINED GROOVE.

REV. No.	DATE	DESCRIPTION	AUTH.
B	14/07/15	NOTES 5 AND 6 AMENDED. PIPE SIZES IN THE TABLE AMENDED.	

**SEQ WATER
SERVICE PROVIDERS**

WORK PRACTICES MUST COMPLY WITH ALL APPLICABLE
OCCUPATIONAL HEALTH & SAFETY LEGISLATION

WATER SUPPLY STANDARD DRAWING
TYPICAL THRUST AND ANCHOR BLOCKS
FOR VALVES

GCCC	LCC	RCC	QUU	UW
DRAWING No.				VERSION
SEQ-WAT-1206-1				B
NOT TO SCALE				ORG DATE: 1/1/2013