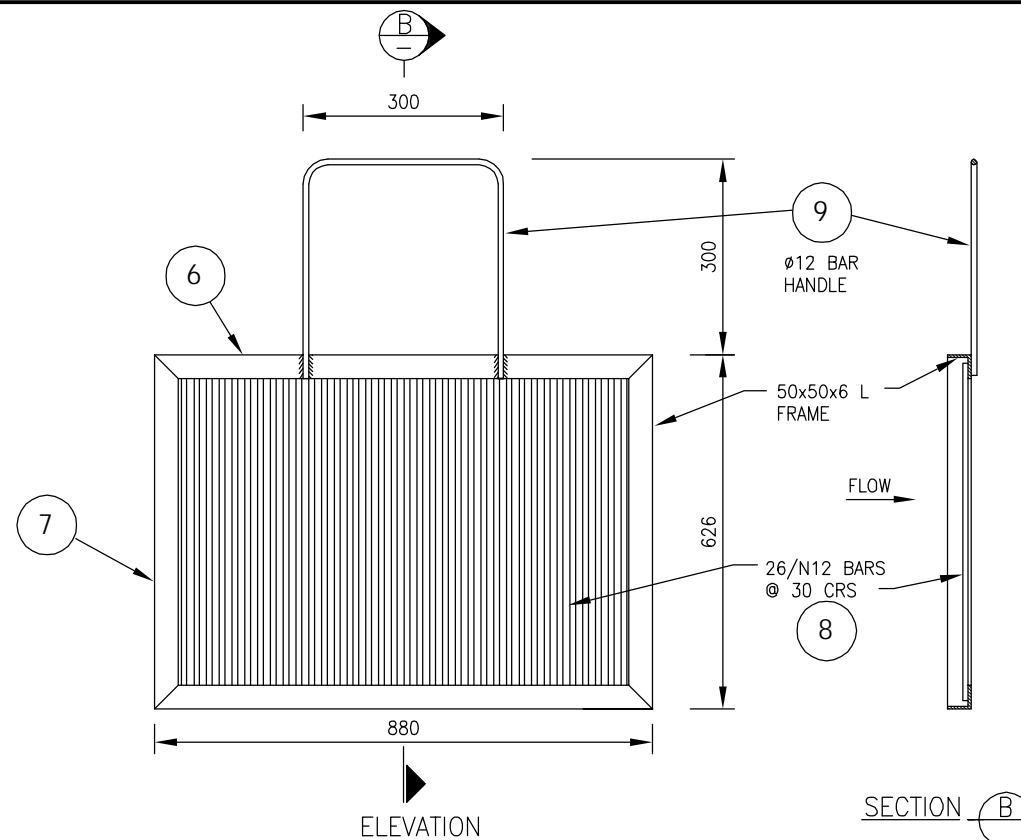
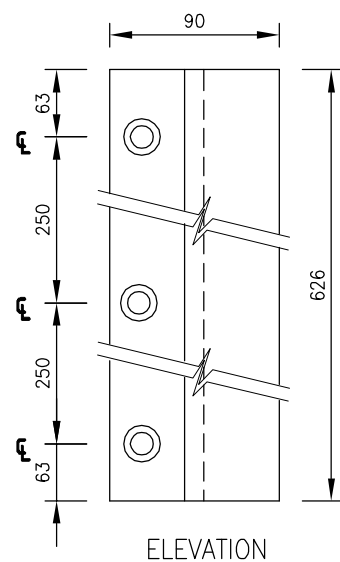
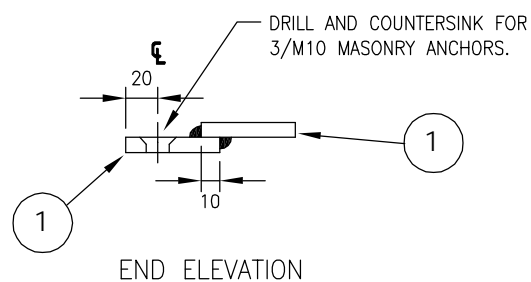


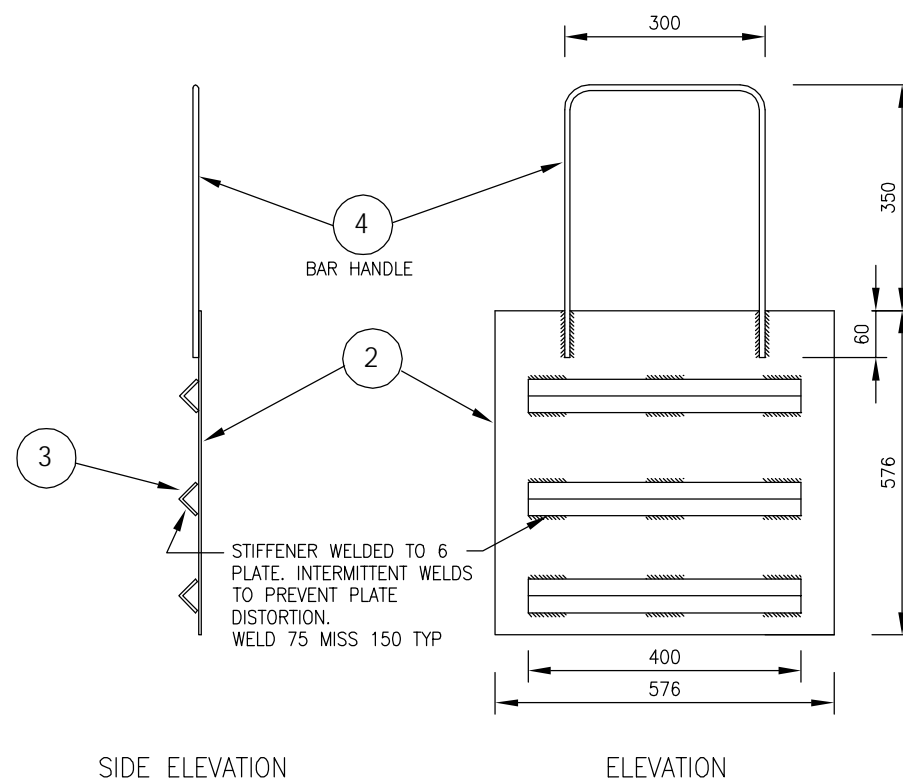
SCREEN GUIDE RAIL



FABRICATED SCREEN



STOPBOARD RETAINER



STOPBOARD

MATERIAL LIST			
MARINE GRADE ALUMINIUM			
ITEM	SECTION	LENGTH	No REQ'D
1	50x8 FLAT	626	4
2	576x6 PLATE	576	1
3	50x50x6 L	400	3
4	N12 ROUND	1120	1
5	75x40x6 CH.	626	2
6	50x50x6 L	880	2
7	50x50x6 L	626	2
8	N12 ROUND @ 30 CTS	600	26
9	N12 ROUND	950	1

NOTES

1. ALL METALWORK SHALL BE MARINE GRADE ALUMINIUM.
2. ALL WELDS 5mm FULL DEPTH FILLET WELDS TO AS 1665 U.N.O.
3. ALL BOLTS TO BE STAINLESS STEEL TO AS 2837/316 WITH NUTS AND WASHERS TO AS 2837/304 WITH APPROVED ANTI-GALLING COMPOUND.

DISCLAIMER The Cairns Regional Council shall have no liability or responsibility to the user or any other person or entity with respect to any liability, loss or damage caused or alleged to be caused, directly or indirectly, by the adoption and use of these Standard Drawings including, but not limited to, any interruption of service, loss of business or anticipatory profits, or consequential damages resulting from the use of these Standard Drawings. Persons must not rely on these Standard Drawings as the equivalent of, or a substitute for, project-specific design and assessment by an appropriately qualified professional.



STANDARD DRAWING

**PUMP STATION OVERFLOW PIT
SCREEN AND STOPBOARD DETAILS**

DRAWING NUMBER

S3036-CRC

No.	Description	Date
B	REDRAWN	28/11/12
A	ORIGINAL ISSUE - SUPERSEDES S3036-CCC	OCT 08

Approved for use
GM Infrastructure Services

REV	A	B		